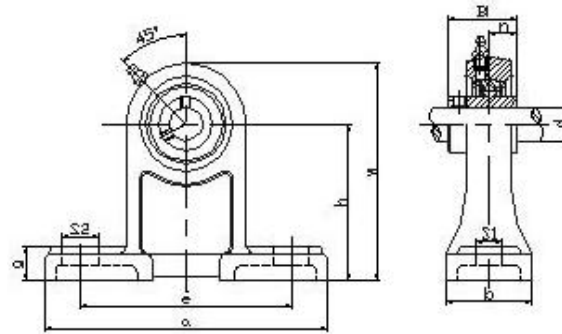




带座外球面轴承  
HIGH CENTER HEIGHT PILLOW BLOCKS



UCPH  
Set Screw Type

带座轴承型号 Unit No.	轴径 Shaft Dia d		外形尺寸 Boundary Dimensions(mm)										螺母尺寸 Bolt Size		轴承 Bearing No.	轴承座 Housing	
	(in)	(mm)	h	a	e	b	S2	S1	g	w	Bi	n	(mm)	(in)		型号 Housing No.	重量 Mass (kg)
UCPH201-8	1/2.														UC201-8		
UCPH202-9	9/16.														UC202-9		
UCPH202-10	5/8.														UC202-10		
UCPH203-11	11/16.														UC203-11		
UCPH204-12	3/4.		70	127	95	40	19	13	15	101	31	12.7	M10	3/8.	UC204-12	PH204	0.75
UCPH201		12													UC201		
UCPH202		15													UC202		
UCPH203		17													UC203		
UCPH204		20													UC204		
UCPH205-13	13/16														UC205-13		
UCPH205-14	7/8.														UC205-14		
UCPH205-15	15/16		80	140	105	50	19	13	16	114	34.1	14.3	M10	3/8.	UC205-15	PH205	1
UCPH205-16	1														UC205-16		
UCPH205		25													UC205		
UCPH206-17	1-1/16.														UC206-17		
UCPH206-18	1-1/8.														UC206-18		
UCPH206-19	1-3/16.		90	165	121	50	21	17	18	130	38.1	15.9	M14	1/2.	UC206-19	PH206	1.42
UCPH206-20	1-1/4.														UC206-20		



