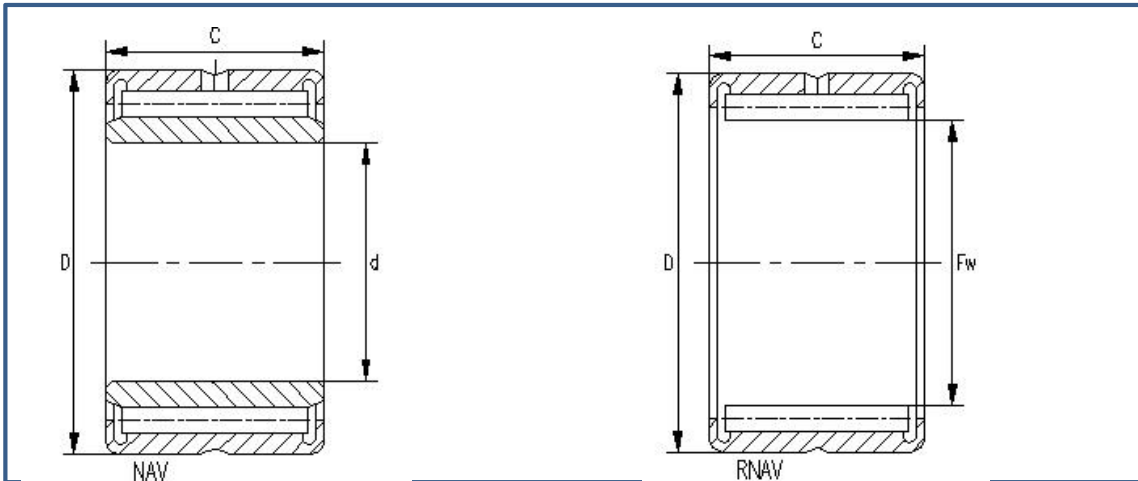




Full Complement Needle Roller Bearings
满装滚针轴承



轴径 Shaft Dia	轴承型号 Bearing No.		重量Mass 近似 Approx.	外形尺寸 Boundary Dimensions			基本额定负荷 Basic Load Rating		极限转速 Limiting Speed
				Fw	D	C	动 Cr Dynamic	静 Cor Static	油润滑 Oil
mm	现行的 Current	老型号 Substituted	g	mm			N		rpm
无内圈/Without Inner Ring									
21.87	RNAV 4002	4084102	45	21.87	32	17	10800	29800	4500
24.3	RNAV 4003	4084103	62	24.3	35	18	17900	37900	4300
28.7	RNAV 4004	4084104	114	28.7	42	22	28150	60900	3900
33.5	RNAV 4005	4084105	129	33.5	47	22	33800	70800	3700
40.1	RNAV 4006	4084106	193	40.1	55	25	49900	96500	3500
45.9	RNAV 4007	4084107	259	45.9	62	27	47600	122800	3100
51.6	RNAV 4008	4084108	304	51.6	68	28	49900	137900	2700
57.4	RNAV 4009	4084109	390	57.4	75	30	52500	153500	2600
62.1	RNAV 4010	4084110	426	62.1	80	30	55700	166000	2500
69.8	RNAV 4011	4084111	645	69.8	90	35	68500	225800	2300
74.6	RNAV 4012	4084112	677	74.6	95	35	75400	239000	2100
80.3	RNAV 4013	4084113	692	80.3	100	35	79500	256900	1900
88	RNAV 4014	4084114	950	88	110	40	98800	354900	1700
92.7	RNAV 4015	4084115	1000	92.7	115	45	101800	372900	1600
100.3	RNAV 4016	4084116	1400	100.3	125	45	102900	373500	1500
104.8	RNAV 4017	4084117	1540	104.8	130	45	103800	374800	1400
带内圈/With Inner Ring									
15	RNAV 4002	4074102	76	15	32	17	10800	29800	4500
17	RNAV 4003	4074103	94	17	35	18	1700	37900	4300
20	RNAV 4004	4074104	170	20	42	22	28150	60900	3900
25	RNAV 4005	4074105	195	25	47	22	33800	70800	3700

30	RNAV 4006	4074106	299	30	55	25	49900	96500	3500
35	RNAV 4007	4074107	402	35	62	27	47600	122800	3100
40	RNAV 4008	4074108	482	40	68	28	49900	137900	2700
45	RNAV 4009	4074109	617	45	75	30	52500	153500	2600
50	RNAV 4010	4074110	669	50	80	30	55700	166000	2500
55	RNAV 4011	4074111	1030	55	90	35	68500	225800	2300
60	RNAV 4012	4074112	1087	60	95	35	75400	239000	2100
65	RNAV 4013	4074113	1156	65	100	35	79500	256900	1900
70	RNAV 4014	4074114	1666	70	110	40	98800	354900	1700
75	RNAV 4015	4074115	1762	75	115	45	101800	372900	1600
80	RNAV 4016	4074116	2450	80	125	45	102900	373500	1500
85	RNAV 4017	4074117	2500	85	130	45	103800	374800	1400
17	--	74703	126	17	35	24.5	8700	10800	4200
15	--	74802	100	15	36	24.5	8900	11200	4400