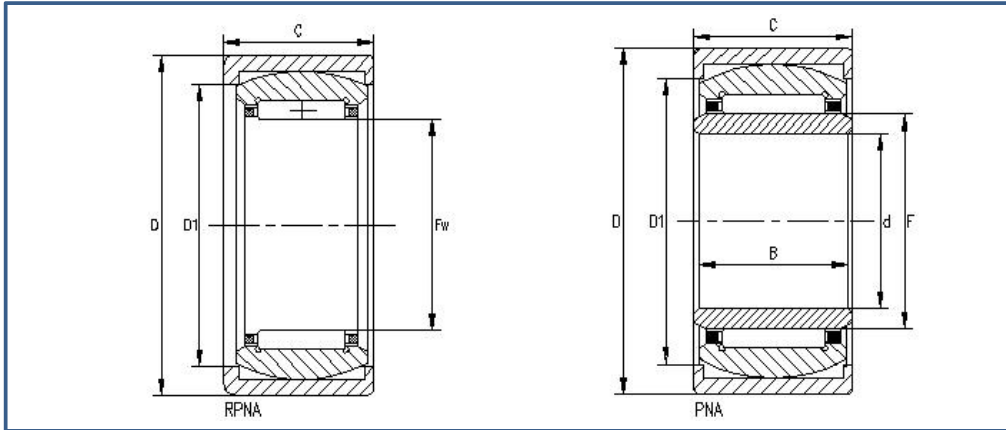




Needle Roller Bearing With Ribs
带挡边滚针轴承



轴径 Shaft Dia	轴承型号 Bearing No.	重量Mass 近似 Approx.	外形尺寸 Boundary Dimensions						基本额定负荷 Basic Load Rating		极限转速 Limiting Speed
			d	Fw F	D	B C	D1	S注1	动 Cr Dynamic	静 Cor Static	油润滑 Oil
mm		g	mm						N		rpm
无内圈/Without Inner Ring											
15	RPNA 15/28	32	--	15	28	12	24.5	--	4660	5700	24000
18	RPNA 18/32	52	--	18	32	16	27	--	9800	14000	22000
20	RPNA 20/35	62	--	20	35	16	30.5	--	10500	15500	21000
25	RPNA 25/42	109	--	25	42	20	36.5	--	14900	27800	18000
28	RPNA 28/44	112	--	28	44	20	38.5	--	20500	31900	16000
30	RPNA 30/47	125	--	30	47	20	42	--	20980	33500	15000
35	RPNA 35/52	131	--	35	52	20	47.5	--	21500	39600	13000
40	RPNA 40/55	141	--	40	55	20	50.5	--	24000	44700	11000
45	RPNA 45/62	176	--	45	62	20	58	--	24800	50900	10000
带内圈/With Inner Ring											
12	PNA 12/28	37	12	15	28	12	24.5	0.5	4660	5700	24000
15	PNA 15/32	62	15	18	32	16	27	0.5	9800	14000	22000
17	PNA 17/35	73	17	20	35	16	30.5	0.5	10500	15500	21000
20	PNA 20/42	136	20	25	42	20	36.5	0.5	14900	27800	18000
22	PNA 22/44	145	22	28	44	20	38.5	0.5	20500	31900	16000
25	PNA 25/47	157	25	30	47	20	42	0.5	20980	33500	15000
30	PNA 30/52	181	30	35	52	20	47.5	0.5	21500	39600	13000
35	PNA 35/55	177	35	40	55	20	50.5	0.5	24000	44700	11000
40	PNA 40/62	227	40	45	62	20	58	0.5	24800	50900	10000