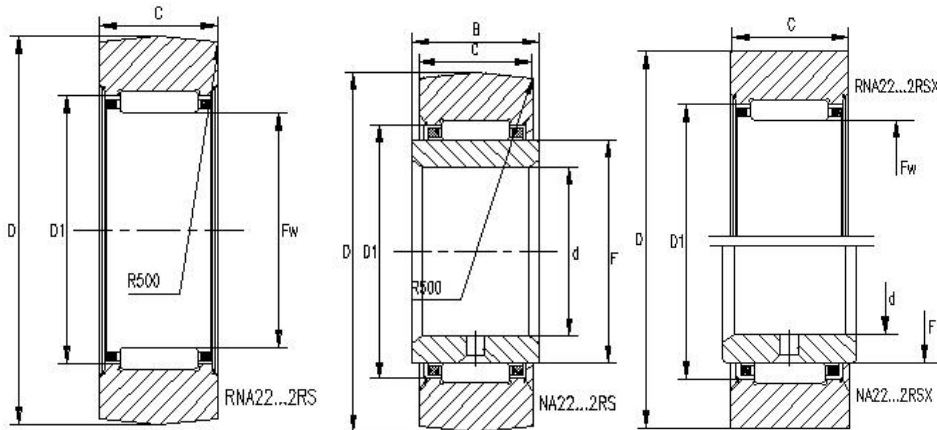




支承滚轮
Cam Followers-Yoke Type



外径 Outside Dia.	轴承型号与近似重量 Bearing No. & Mass Approx.				外形尺寸 Boundary Dimensions						基本额定负荷 Basic Load Rating				极限转速 Limiting Speed	
	无内圈 Without IR	重量 Mass	带内圈 With IR	重量 Mass	D	d	F注1	B	C	E	动 Cr Dynamic	静 Cor Static	作为支承滚轮			脂润滑 Grease
							FW						动 Cw	静 Cow		
mm		g		g	mm						N				rpm	
19	RNA 22/6.2RS	18	NA 22/6.2RS	22	19	6	10	12	11.8	16	5000	4350	3050	3000	18000	
	RNA 22/6.2RS X	18	NA 22/6.2RS X	22	19	6	10	12	11.8	16	5000	4350	3900	3700	18000	
24	RNA 22/8.2RS	29	NA 22/8.2RS	34	24	8	12	12	11.8	18	5500	5200	4800	4800	14000	
	RNA 22/8.2RS X	29	NA 22/8.2RS X	34	24	8	12	12	11.8	18	5500	5200	4050	4050	14000	
30	RNA 2200.2RS	52	NA 2200.2RS	60	30	10	14	14	13.8	20	7600	8100	7000	8000	11000	
	RNA 2200.2RS X	52	NA 2200.2RS X	60	30	10	14	14	13.8	20	7600	8100	6500	7050	11000	
32	RNA 2201.2RS	57	NA 2201.2RS	67	32	12	16	14	13.8	22	8500	9700	7500	9000	9500	
	RNA 2201.2RS X	57	NA 2201.2RS X	67	32	12	16	14	13.8	22	8500	9700	7050	8950	9500	
35	RNA 2202.2RS	60	NA 2202.2RS	75	35	15	20	14	13.8	26	9600	12000	7600	9600	7000	
	RNA 2202.2RS X	60	NA 2202.2RS X	75	35	15	20	14	13.8	26	9600	12000	7050	9080	7000	
40	RNA 2203.2RS	94	NA 2203.2RS	112	40	17	22	16	15.8	28	12000	16500	9900	13800	6000	
	RNA 2203.2RS X	94	NA 2203.2RS X	112	40	17	22	16	15.8	28	12000	16500	9090	11800	6000	
47	RNA 2204.2RS	152	NA 2204.2RS	177	47	20	25	18	17.8	33	18500	21900	15200	18300	4600	
	RNA 2204.2RS X	152	NA 2204.2RS X	177	47	20	25	18	17.8	33	18500	21900	13500	16500	4600	
52	RNA 2205.2RS	179	NA 2205.2RS	209	52	25	30	18	17.8	38	20100	26000	15700	20000	3500	
	RNA 2205.2RS X	179	NA 2205.2RS X	209	52	25	30	18	17.8	38	20100	26000	13500	18900	3500	
62	RNA 2206.2RS	284	NA 2206.2RS	324	62	30	35	20	19.8	43	23000	28000	18300	25500	2800	
	RNA 2206.2RS X	284	NA 2206.2RS X	324	62	30	35	20	19.8	43	23000	28000	17500	23500	2800	
72	RNA 2207.2RS	432	NA 2207.2RS	505	72	35	42	23	22.7	50	29800	46300	23000	35500	2200	
	RNA 2207.2RS X	432	NA 2207.2RS X	505	72	35	42	23	22.7	50	29800	46300	20500	32500	2200	
80	RNA 2208.2RS	530	NA 2208.2RS	628	80	40	48	23	22.7	57	38200	57700	27500	40500	1700	
	RNA 2208.2RS X	530	NA 2208.2RS X	628	80	40	48	23	22.7	57	38200	57700	25000	38000	1700	
85	RNA 2209.2RS	545	NA 2209.2RS	655	85	45	52	23	22.7	62	40300	63800	28500	43000	1600	
	RNA 2209.2RS X	545	NA 2209.2RS X	655	85	45	52	23	22.7	62	40300	63800	26000	41000	1600	
90	RNA 2210.2RS	563	NA 2210.2RS	690	90	50	58	23	22.7	68	42100	66000	28000	42500	1300	
	RNA 2210.2RS X	563	NA 2210.2RS X	690	90	50	58	23	22.7	68	42100	66000	26000	40500	1300	